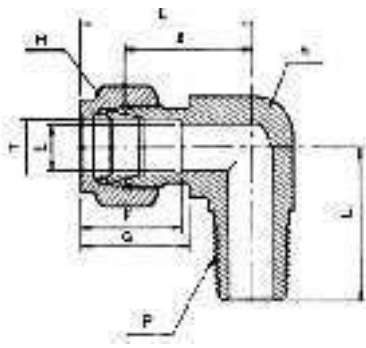


MALE ELBOW



Part No.	Tube O.D.	P (NPT)	E mm	h mm	H mm	F	G	I	L	L ₁
	T mm									
KFI-ME-M03-02	3	1/8	2.4	12.7	12	12.9	15.3	17.0	23.6	17.8
KFI-ME-M03-04	3	1/4	2.4	12.7	12	12.9	15.3	18.0	24.6	23.4
KFI-ME-M04-02	4	1/8	2.4	12.7	12	13.7	16.1	18.8	25.4	18.8
KFI-ME-M04-04	4	1/4	2.4	12.7	12	13.7	16.1	18.8	25.4	23.4
KFI-ME-M06-02	6	1/8	4.8	12.7	14	15.3	17.7	19.6	27.0	18.8
KFI-ME-M06-04	6	1/4	4.8	12.7	14	15.3	17.7	19.6	27.0	23.4
KFI-ME-M06-06	6	3/8	4.8	17.5	14	15.3	17.7	22.4	29.8	26.2
KFI-ME-M06-08	6	1/2	4.8	20.6	14	15.3	17.7	24.4	31.8	33.0
KFI-ME-M08-02	8	1/8	4.8	14.3	16	16.2	18.6	21.3	28.8	19.8
KFI-ME-M08-04	8	1/4	6.4	14.3	16	16.2	18.6	21.3	28.8	24.4
KFI-ME-M08-06	8	3/8	6.4	17.5	16	16.2	18.6	23.9	31.4	28.5
KFI-ME-M08-08	8	1/2	6.4	20.6	16	16.2	18.6	25.1	32.6	33.0
KFI-ME-M10-02	10	1/8	4.8	17.5	19	17.2	19.5	23.9	31.5	23.6
KFI-ME-M10-04	10	1/4	7.1	17.5	19	17.2	19.5	23.9	31.5	28.2
KFI-ME-M10-06	10	3/8	7.9	17.5	19	17.2	19.5	25.9	31.5	28.2
KFI-ME-M10-08	10	1/2	7.9	20.6	19	17.2	19.5	25.9	33.5	33.0
KFI-ME-M12-02	12	1/8	4.8	20.6	22	22.8	22.00	25.9	36.0	23.6
KFI-ME-M12-04	12	1/4	7.1	20.6	22	22.8	22.00	25.9	36.0	28.2
KFI-ME-M12-06	12	3/8	9.5	20.6	22	22.8	22.00	25.9	36.0	28.2
KFI-ME-M12-08	12	1/2	9.5	20.6	22	22.8	22.00	29.7	36.0	33.0
KFI-ME-M12-12	12	3/4	9.5	27.0	22	22.8	22.00	27.9	39.8	36.8
KFI-ME-M16-06	16	3/8	9.5	25.4	25	24.4	22.00	27.9	38.0	30.2
KFI-ME-M16-08	16	1/2	11.9	25.4	25	24.4	22.00	29.7	38.0	35.1
KFI-ME-M16-12	16	3/4	12.7	27.0	25	24.4	22.00	29.7	39.8	36.8

Part No.	Tube O.D. T mm	P (NPT)	E mm	h mm	H mm	F	G	I	L	L ₁
KFI-ME-M18-08	18	1/2	11.9	27.0	30	24.4	22.00	29.7	39.8	36.8
KFI-ME-M18-12	18	3/4	15.1	27.0	30	24.4	22.00	29.7	39.8	36.8
KFI-ME-M20-08	20	1/2	11.9	31.8	32	26.0	22.00	34.5	44.6	41.7
KFI-ME-M20-12	20	3/4	15.9	31.8	32	26.0	22.00	34.5	44.6	41.7
KFI-ME-M22-12	22	3/4	15.9	31.8	32	26.0	22.00	34.5	44.6	41.7
KFI-ME-M22-16	22	1	18.3	36.0	32	26.0	22.00	34.5	44.6	46.5
KFI-ME-M25-12	25	3/4	15.9	36.0	38	31.3	26.5	36.8	49.1	41.7
KFI-ME-M25-16	25	1	21.8	36.0	38	31.3	26.5	36.8	49.1	46.5

KWIK FLEX INDUSTRIES

Plot No. X-18/7, Subodhi, MIDC Phase II, Dombivli (East) 421 201, INDIA
 E-mail : sales@kwikflex.com ; kwikflex@vsnl.net; Telefax : +91 251 2470102