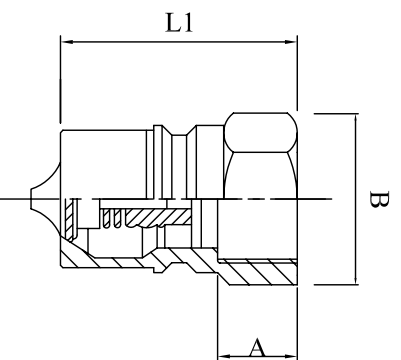
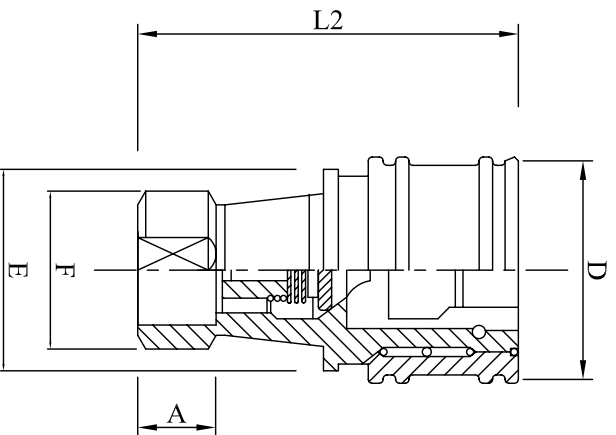
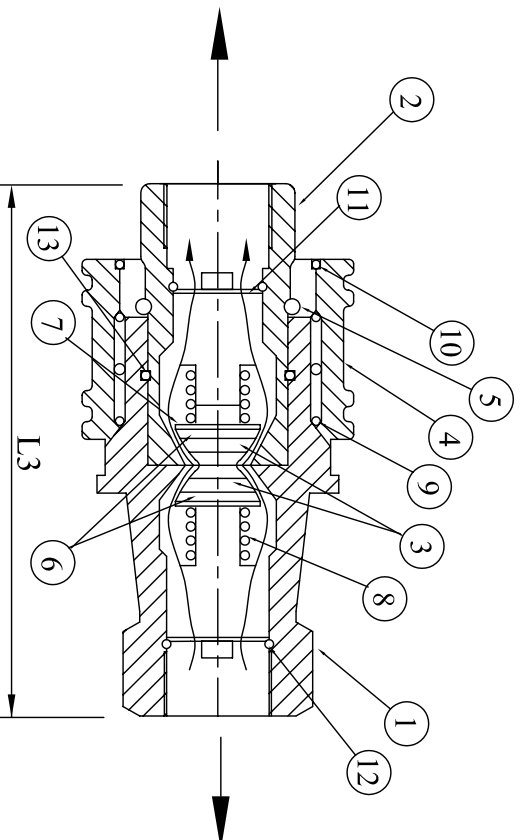


Sl.No	DESCRIPTION	MATL.	QTY.
1	BODY	SS316	1
2	NOZZEL	SS316	1
3	TRIM	SS316	2
4	SOCKET	SS316	1
5	BALL	SS 316	6
6	SEAL	VITON	2
7	RING GUIDE	SS316	2
8	SPRING	SS316	2
9	SOCKET SPRING	SS316	1
10	CIRCLIP	SS316	1
11	SPRING GUIDE	SS 316	2
12	LOCK RING	SS316	2
13	GLAND SEAL	VITON	1



MODEL NO.	SIZE NPT/BSPP	L1	L2	L3	A	B	E	F	D
K301 QRC2	1/8"	29	44	58	14	14	19	16	22
K301 QRC4	1/4"	37	58	72	14	19	28	22	32
K301 QRC6	3/8"	40	65	79	14	22	32	25	35
K301 QRC8	1/2"	45	71	90	19	28	38	32	44
K301 QRC12	3/4"	49	76	96	19	32	42	36	49
K301 QRC16	1"	56	85	110	25	45Ø	55	45	55
K301 QRC20	1 1/4"	58	94	118	24	55Ø	62	58	68
K301 QRC24	1 1/2"	59	94	120	25	60Ø	70	60	75
K301 QRC32	2"	72	103	133	30	70Ø	80	70Ø	88

TYPE - DC COUPLERS ARE HAVING BUILT IN SELF SEALING VALVES
ON PLUG & SOCKET ENDS SUCH THAT BOTH SOCKET AND PLUGS
ARE SEALED INSTANTLY ON DISCONNECTION.

MATERIAL : A479 SS316, A479 SS304, A105, MONEL, HASTELLOY.

PORT CONNOC. : NPT, BSP, BSPT MALE AND FEMALE, TUBE END.

SEAT SEAL : VITON

JOINT SEAL : VITON, BUNA 'N'

TEST PRESSURE : 25°C ROOM TEMPERATURE

HYDROSTATIC : 200 Kg/cm²

PNEUMATIC : 10 Kg/cm².

FINISH : CS ZINC PLATED AND DICHROMATED, SS - NATURAL.

NOTE:

* DIMENSIONS ARE FOR REFERENCE ONLY. SUBJECT TO CHANGE.

* OPTIONAL M.O.C.: BRASS/SS316L/SS304/SS304L/MONEL/HASTALLOY ETC.

ALL DIMENSIONS ARE IN MM UNLESS SPECIFIED

REV	DESCRIPTION	DATE

TITLE : DOUBLE CHECK QRC

DRN. : --

CHK. : --

APPD. : --

KWIK FLEX INDUSTRIES
AN ISO 9001 : 2008 COMPANY
INDIA