

MATERIAL OF CONSTRUCTION

S.NO.	PART NAME	QTY.	MATERIAL
1	BODY	1	A479-316 / CS
2	STEM	1	A276-316
3	PACKING WASHER	2	A479-316 / CS
4	GLAND PACKING	3	GLASS FILLED PTFE
5	LOCK NUT	1	A479-316 / CS
6	GLAND RETAINER	1	A479-316 / CS
7	HANDLE	1	STAINLESS STEEL / CS
7	DUST COVER	1	PLASTIC

FEATURES:
 ONE PIECE BODY CONSTRUCTION FOR HIGH STRENGTH & FULL SAFETY, NO WELDING.
 316 S.S. ONE PIECE BODY CONSTRUCTION FOR SUPERIOR CORROSION RESISTANCE.
 EXCELLENT FLOW REGULATION AND LEAK TIGHT. SLOW OPENING PREVENTS SUDDEN PRESSURE SURGE AND INSTRUMENT DAMAGE.

TESTING:
 STANDARD TEST:- EACH VALVES IS TESTED WITH NITROGEN AT 1000 PSI FOR SEAT & GLAND HYDRO TEST:- PERFORMED WITH PURE WATER AT 1-1/2 TIMES OF THE WORKING PRESSURE TEMPERATURE AND HELIUM LEAK TESTS ARE AVAILABLE UPON REQUEST.

APPLICATION:-
 REFINERIES, LIQUID PETROLIUM GAS, PROCESSING PALNT SYSTEMS DIPHICULT TO SHUT OFF DUE TO SOLIDE CONTENTS. DUST. RUST ETC.

NOTES:-
 OPTIONAL GRAPHOL PACKING WITH BALL TIP DESIGN AVAILABLE FOR HIGH TEMPERATURE APPLICATION WHICH ENSURE LONG LIFE IN REPETTIVE SHUT OFF SERVICE. SERIES OF END CONNECTIONS LIKE MALE/FEMALE NPT, BSP PIPE THREADED ENDS WITH STRAIGHT AND ANGLE PATTERNS. DIMENSIONS ARE FOR REFERENCE ONLY. SUBJECT TO CHANGE. VALVE CAN BE SUPPLIED TO MEET CURRENT REVISION OF NACE MR-01-75. (SOURGAS SERVICE)
 MOLLY ANTI-SEIZE LUBRICANT.

NOTES:-
 DIMENSIONS ARE FOR REFERENCE ONLY.
 ALL DIMENSIONS ARE IN MM. UNLESS SPECIFIED.

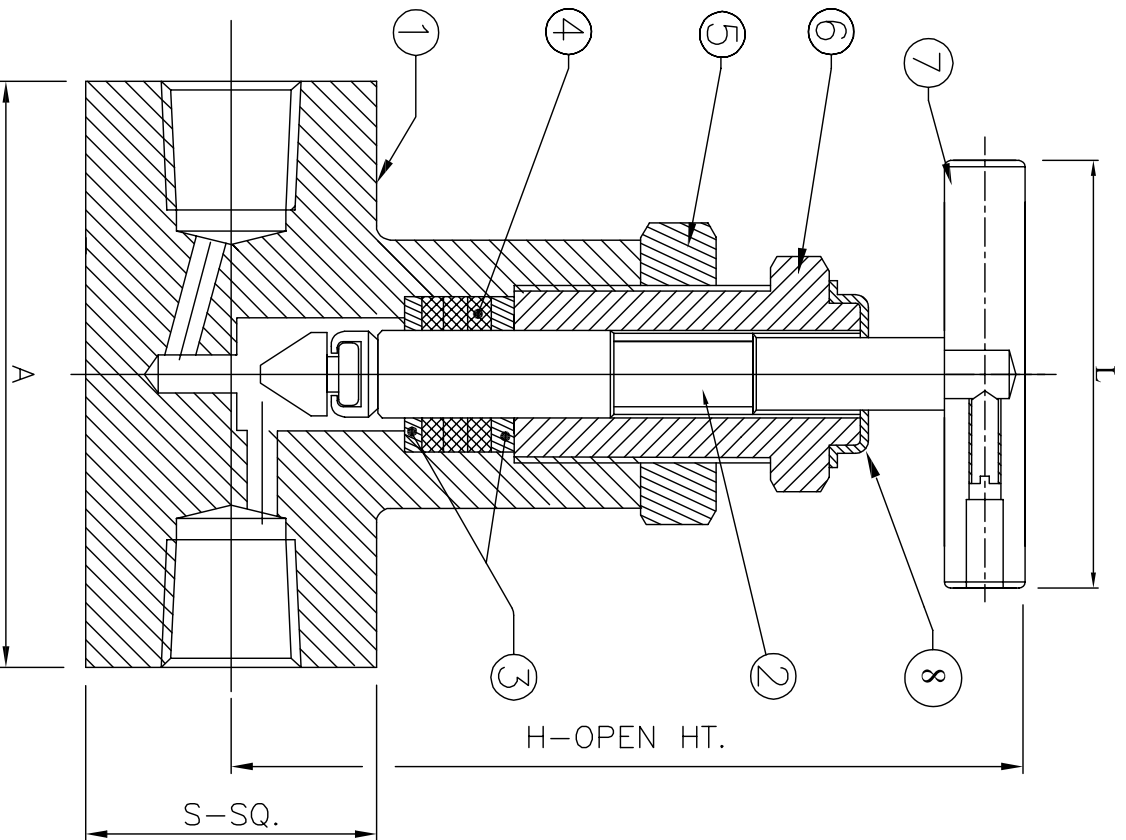


TABLE OF DIMENSION

TECHNICAL DATA			
ORIFICE	Cv	Pr. Rat.	Temp.Rat.
5 mm.	0.22	10000 PSI (700 BAR)	-65 to 200° F (-50° to 93°C)

SIZE	A	S-SQ.	H-OPEN HT.	L
1/4"	55	25		86
3/8"	55	28		86
1/2"	75	34		98
3/4"	80	38		98
1"	90	45		115
				80

REV.	DESCRIPTION	DATE
	TITLE : HP SERIES NEEDLE VALVE (F X F)	
DRN.	--	
CHK.	--	
APPD.	--	
SCALE : NTS.		
DRG. NO. : KFI/.../...		
KWIK FLEX INDUSTRIES		
AN ISO 9001 : 2008 COMPANY		
INDIA		