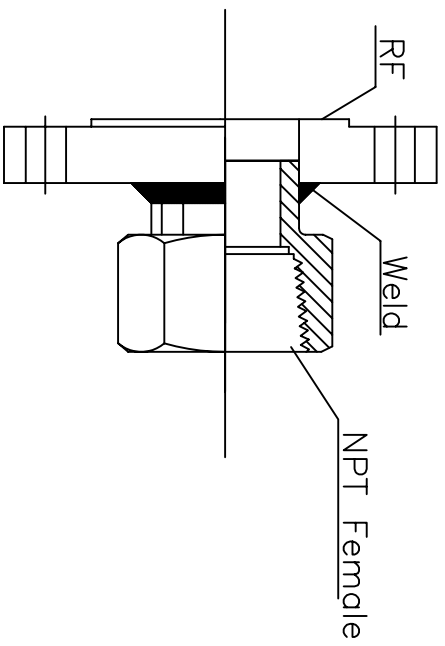
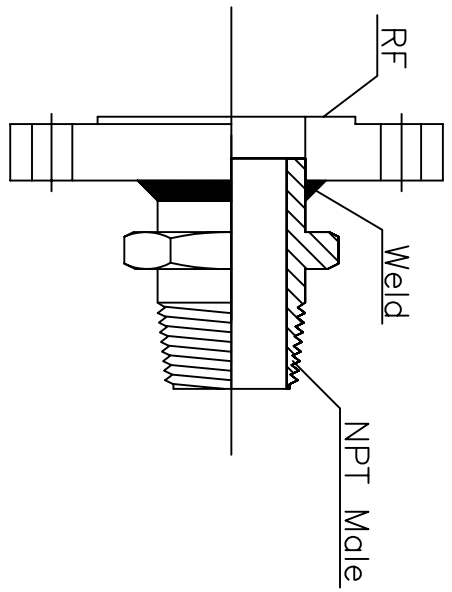
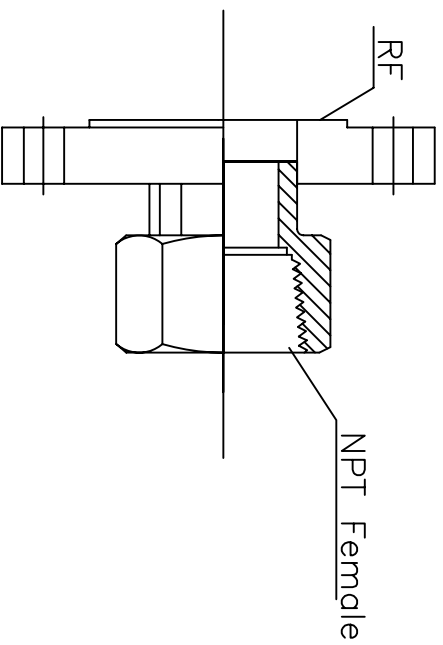
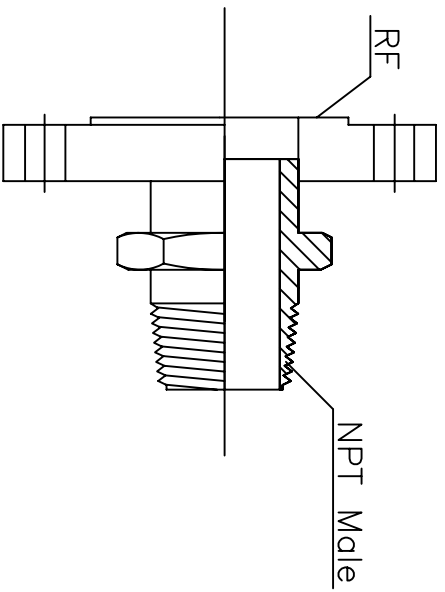


## FLANGE ADAPTOR (WELDED TYPE)



## FLANGE ADAPTOR (FORGED TYPE)



MATERIAL : A105, SS 304, SS 316, MONEL

ALL DIMENSIONS ARE FOR REFERENCE ONLY & SUBJECT TO CHANGE WITHOUT NOTICE.

ALL DIMENSIONS ARE IN MM UNLESS SPECIFIED

REV.	DESCRIPTION	DATE
	TITLE : FLANGE ADAPTOR	
DRN.	--	
CHK.	--	SCALE : NTS.
APPD.	--	DRG. NO.: KFI---/---
<b>KWIK FLEX INDUSTRIES</b> AN ISO 9001 : 2008 COMPANY INDIA		