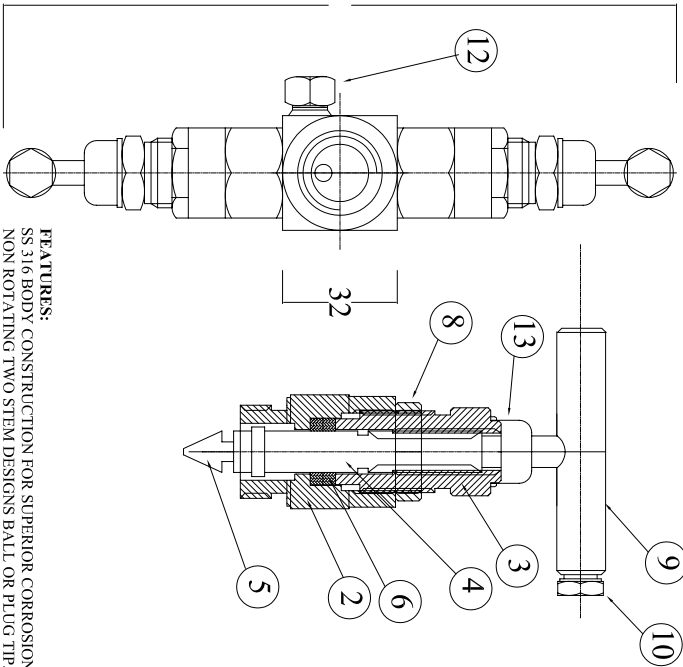


MAX.OPEN HEIGHT 174



Sr.No	DESCRIPTION	MATL.	QTY.
1	BODY	SS316	1
2	GLAND BODY	SS316	2
3	RETAINER	SS316	2
4	SPINDLE	S.S.316	2
5	STEM	SS 316	2
6	GLAND SEALS	P.T.F.E.	4
7	JOINT SEAL	SS316	2
8	GLAND NUT	SS316	2
9	HANDLE	S.S.	2
10	HEX BOLT	S.S.	2
11	LOCK PIN	SS 316	2
12	DRAIN PLUG 1/4\"/>		
13	DUST CAP	P.V.C.	2

FEATURES:
 SS 316 BODY CONSTRUCTION FOR SUPERIOR CORROSION RESISTANCE.
 NON ROTATING TWO STEM DESIGNS BALL OR PLUG TIP. EXTENDED BODY FOR INSULATION CLEARANCE.
 SCHEDULE 160 OR HEAVIER PIPE VALVE ON VALVE INLET FOR FULL STRENGTH. OPTIONAL PACKING GRAFOIL AVAILABLE FOR HIGH TEMP. WITH ALL BALL AND PLUG TIP DESIGN WHICH FORMS A BEARING JOINT WITH THE STEM ELIMINATE ROTATION BETWEEN BALL AND SEAT AT CLOSURE. THIS PREVENTS SCORING AND GALLING UP THE VALVE SEAT AND INSURE LONG LIFE IN REPETITIVE SHUT - OFF SERVICE.

APPLICATION:
 PRESSURE SWITCHES, GAUGES AND DIFFERENTIAL PRESSURE TRANSMITTERS SUITABLE FOR BLOCK AND BLEED ASSEMBLES. TO TEST PRESSURE SOURCE REQUIRED IN SAMPLING LINE OR A PLUG VALVE.

TESTING:
 HYDRO TEST : EACH VALVE IS TESTED WITH PURE WATER IN ACCORDANCE WITH MSS-SP-61.

PNEUMATIC TEST : EACH VALVE IS TESTED WITH NITROGEN AT 1000 PSI IN ACCORDANCE WITH MSS-SP-61 FOR SEAT & PACKING LEAKAGE.

DESIGN STANDARD:
 PRESSURE & TEMPERATURE RATING ARE SELECTED FROM ANSI B16.34
 STANDARD CLASS VALVES BASED ON ANSI B16.4 CLASS 2500
 OPTIONAL SOUR GAS SERVICE CONFIRMS TO NACE STD. MR-01-75

FEATURES:-

- ⊙ ROLLED AND PLATED STEM THREADS FOR EXTRA STRENGTH
- ⊙ SCREWED BONNET WITH SAFETY LOCK PIN PREVENTS ACCIDENTAL VALVE DISASSEMBLY.
- ⊙ ADJUSTABLE PACKING BELOW THREADS.

TECHNICAL DATA

MAT.	SEAT	TEMP. RATING	PR.RATING @ 100°F (38°C)	ORIFICE
S.S.316	METAL SEAT	-65°F TO 900°F (-54°C TO 464°C)	6000 PSI (41,300 KPa)	5mm.

ALL DIMENSIONS ARE IN MM UNLESS SPECIFIED

INSTRUMENT



PROCESS

SCHEMATIC

REV.	DESCRIPTION	DATE

TITLE : DOUBLE BLOCK & BLEED GAUGE VALVE

DRN. : -

CHK. : - SCALE : NTS.

APPD. : - DRG. NO. : KFI/.../...

KWIK FLEX INDUSTRIES
 AN ISO 9001 : 2008 COMPANY
 INDIA